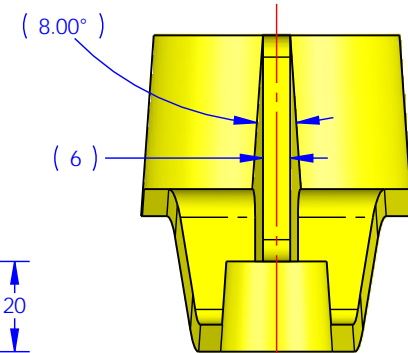
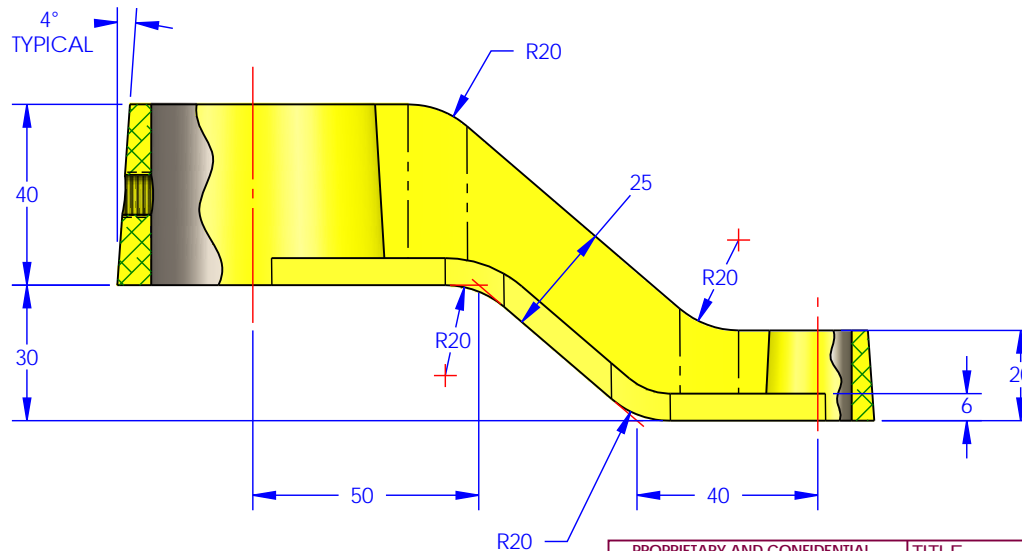
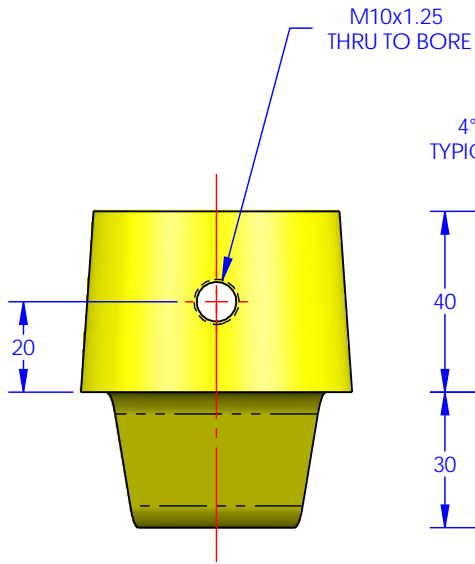
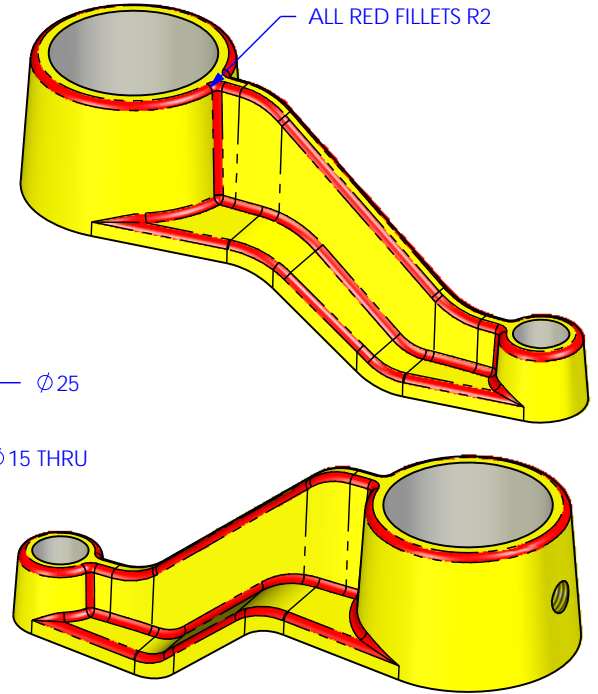
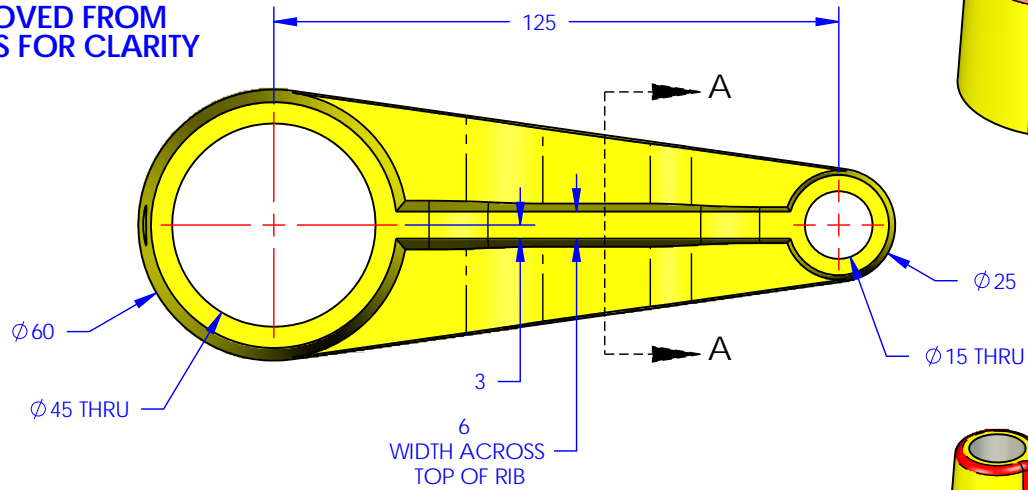
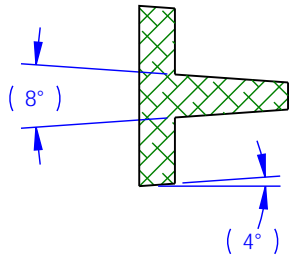


NOTES:

1. MATERIAL: Aluminum 6061-T6 (SS)
2. FILLETS COLORED RED - R2
3. ALL DRAFT - 4 DEGREES
4. RED 2 MM FILLETS REMOVED FROM ORTHOGRAPHIC VIEWS FOR CLARITY



THIRD ANGLE PROJECTION



PROPRIETARY AND CONFIDENTIAL
 THE INFORMATION CONTAINED IN THIS DRAWING IS THE SOLE PROPERTY OF SOLIDWORKS. ANY REPRODUCTION IN PART OR AS A WHOLE WITHOUT THE WRITTEN PERMISSION OF SOLIDWORKS IS PROHIBITED.

NAME	DATE
DRAWN BY: MAS	1-15-09
MATERIAL: 6061-T6 (SS)	

TITLE: MODEL MANIA 2009		SIZE: A	DWG. NO. Model Mania 2009	REV: 1
SCALE: 3:5		WEIGHT:		SHEET 1 OF 2